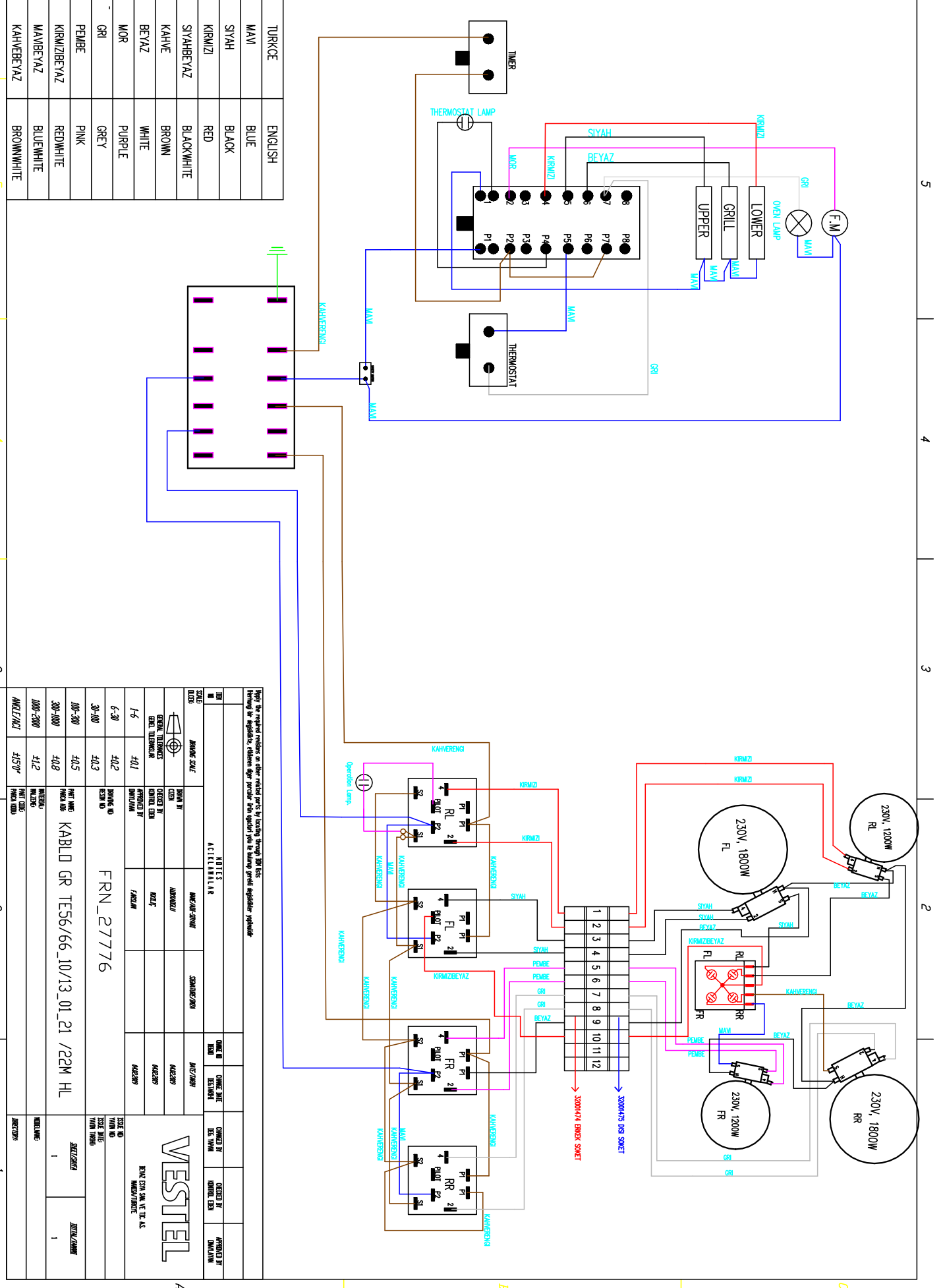


HER HAKKI SAĞLIKLI BU DOKÜMANIN HİÇBİR KESİNE YAZILI İZİN OLUNMASI KAPTA BASKI VEYA REEP DİR SİZİLİCE ÇEŞİTLİLER VEYA YAYINLANMAZ.

ALL RIGHTS RESERVED. REPRODUCTION OR REISSUE TO THIRD PARTIES IN ANY FORM, WHATEVER IS NOT PERMITTED WITHOUT WRITTEN AUTHORITY FROM THE PROPRIETORS.



| NOTES   |  | NOTES              |  |      |            |               |    |               |    |               |    |               |    |                    |    |                    |    |   |  |      |            |      |            |               |    |               |    |               |    |               |    |                    |    |                    |    |
|---|--|--------------------|--|------|------------|---------------|----|---------------|----|---------------|----|---------------|----|--------------------|----|--------------------|----|---|--|------|------------|------|------------|---------------|----|---------------|----|---------------|----|---------------|----|--------------------|----|--------------------|----|
| NO  | DESCRIPTION  | NO                 | DESCRIPTION  |      |            |               |    |               |    |               |    |               |    |                    |    |                    |    |   |  |      |            |      |            |               |    |               |    |               |    |               |    |                    |    |                    |    |
| 1   | Apply the required resistance on other related parts by working through DGS lists                              | 1                  | Apply the required resistance on other related parts by working through DGS lists                              |      |            |               |    |               |    |               |    |               |    |                    |    |                    |    |   |  |      |            |      |            |               |    |               |    |               |    |               |    |                    |    |                    |    |
| 2   | Following the electrical, electronic after procedure check operation and to ensure good electrical performance | 2                  | Following the electrical, electronic after procedure check operation and to ensure good electrical performance |      |            |               |    |               |    |               |    |               |    |                    |    |                    |    |   |  |      |            |      |            |               |    |               |    |               |    |               |    |                    |    |                    |    |
| <table border="1"> <thead> <tr> <th>TEST</th> <th>TEST VALUE</th> <th>TEST</th> <th>TEST VALUE</th> </tr> </thead> <tbody> <tr> <td>GENERAL CHECK</td> <td>OK</td> <td>GENERAL CHECK</td> <td>OK</td> </tr> <tr> <td>GENERAL TESTS</td> <td>OK</td> <td>GENERAL TESTS</td> <td>OK</td> </tr> <tr> <td>GENERAL THERMISTOR</td> <td>OK</td> <td>GENERAL THERMISTOR</td> <td>OK</td> </tr> </tbody> </table> |  | TEST               | TEST VALUE   | TEST | TEST VALUE | GENERAL CHECK | OK | GENERAL CHECK | OK | GENERAL TESTS | OK | GENERAL TESTS | OK | GENERAL THERMISTOR | OK | GENERAL THERMISTOR | OK | <table border="1"> <thead> <tr> <th>TEST</th> <th>TEST VALUE</th> <th>TEST</th> <th>TEST VALUE</th> </tr> </thead> <tbody> <tr> <td>GENERAL CHECK</td> <td>OK</td> <td>GENERAL CHECK</td> <td>OK</td> </tr> <tr> <td>GENERAL TESTS</td> <td>OK</td> <td>GENERAL TESTS</td> <td>OK</td> </tr> <tr> <td>GENERAL THERMISTOR</td> <td>OK</td> <td>GENERAL THERMISTOR</td> <td>OK</td> </tr> </tbody> </table> |  | TEST | TEST VALUE | TEST | TEST VALUE | GENERAL CHECK | OK | GENERAL CHECK | OK | GENERAL TESTS | OK | GENERAL TESTS | OK | GENERAL THERMISTOR | OK | GENERAL THERMISTOR | OK |
| TEST  | TEST VALUE   | TEST               | TEST VALUE   |      |            |               |    |               |    |               |    |               |    |                    |    |                    |    |   |  |      |            |      |            |               |    |               |    |               |    |               |    |                    |    |                    |    |
| GENERAL CHECK   | OK   | GENERAL CHECK      | OK   |      |            |               |    |               |    |               |    |               |    |                    |    |                    |    |   |  |      |            |      |            |               |    |               |    |               |    |               |    |                    |    |                    |    |
| GENERAL TESTS   | OK   | GENERAL TESTS      | OK   |      |            |               |    |               |    |               |    |               |    |                    |    |                    |    |   |  |      |            |      |            |               |    |               |    |               |    |               |    |                    |    |                    |    |
| GENERAL THERMISTOR  | OK   | GENERAL THERMISTOR | OK   |      |            |               |    |               |    |               |    |               |    |                    |    |                    |    |   |  |      |            |      |            |               |    |               |    |               |    |               |    |                    |    |                    |    |
| TEST  | TEST VALUE   | TEST               | TEST VALUE   |      |            |               |    |               |    |               |    |               |    |                    |    |                    |    |   |  |      |            |      |            |               |    |               |    |               |    |               |    |                    |    |                    |    |
| GENERAL CHECK   | OK   | GENERAL CHECK      | OK   |      |            |               |    |               |    |               |    |               |    |                    |    |                    |    |   |  |      |            |      |            |               |    |               |    |               |    |               |    |                    |    |                    |    |
| GENERAL TESTS   | OK   | GENERAL TESTS      | OK   |      |            |               |    |               |    |               |    |               |    |                    |    |                    |    |   |  |      |            |      |            |               |    |               |    |               |    |               |    |                    |    |                    |    |
| GENERAL THERMISTOR  | OK   | GENERAL THERMISTOR | OK   |      |            |               |    |               |    |               |    |               |    |                    |    |                    |    |   |  |      |            |      |            |               |    |               |    |               |    |               |    |                    |    |                    |    |
| <table border="1"> <thead> <tr> <th>TEST</th> <th>TEST VALUE</th> <th>TEST</th> <th>TEST VALUE</th> </tr> </thead> <tbody> <tr> <td>GENERAL CHECK</td> <td>OK</td> <td>GENERAL CHECK</td> <td>OK</td> </tr> <tr> <td>GENERAL TESTS</td> <td>OK</td> <td>GENERAL TESTS</td> <td>OK</td> </tr> <tr> <td>GENERAL THERMISTOR</td> <td>OK</td> <td>GENERAL THERMISTOR</td> <td>OK</td> </tr> </tbody> </table> |  | TEST               | TEST VALUE   | TEST | TEST VALUE | GENERAL CHECK | OK | GENERAL CHECK | OK | GENERAL TESTS | OK | GENERAL TESTS | OK | GENERAL THERMISTOR | OK | GENERAL THERMISTOR | OK | <table border="1"> <thead> <tr> <th>TEST</th> <th>TEST VALUE</th> <th>TEST</th> <th>TEST VALUE</th> </tr> </thead> <tbody> <tr> <td>GENERAL CHECK</td> <td>OK</td> <td>GENERAL CHECK</td> <td>OK</td> </tr> <tr> <td>GENERAL TESTS</td> <td>OK</td> <td>GENERAL TESTS</td> <td>OK</td> </tr> <tr> <td>GENERAL THERMISTOR</td> <td>OK</td> <td>GENERAL THERMISTOR</td> <td>OK</td> </tr> </tbody> </table> |  | TEST | TEST VALUE | TEST | TEST VALUE | GENERAL CHECK | OK | GENERAL CHECK | OK | GENERAL TESTS | OK | GENERAL TESTS | OK | GENERAL THERMISTOR | OK | GENERAL THERMISTOR | OK |
| TEST  | TEST VALUE   | TEST               | TEST VALUE   |      |            |               |    |               |    |               |    |               |    |                    |    |                    |    |   |  |      |            |      |            |               |    |               |    |               |    |               |    |                    |    |                    |    |
| GENERAL CHECK   | OK   | GENERAL CHECK      | OK   |      |            |               |    |               |    |               |    |               |    |                    |    |                    |    |   |  |      |            |      |            |               |    |               |    |               |    |               |    |                    |    |                    |    |
| GENERAL TESTS   | OK   | GENERAL TESTS      | OK   |      |            |               |    |               |    |               |    |               |    |                    |    |                    |    |   |  |      |            |      |            |               |    |               |    |               |    |               |    |                    |    |                    |    |
| GENERAL THERMISTOR  | OK   | GENERAL THERMISTOR | OK   |      |            |               |    |               |    |               |    |               |    |                    |    |                    |    |   |  |      |            |      |            |               |    |               |    |               |    |               |    |                    |    |                    |    |
| TEST  | TEST VALUE   | TEST               | TEST VALUE   |      |            |               |    |               |    |               |    |               |    |                    |    |                    |    |   |  |      |            |      |            |               |    |               |    |               |    |               |    |                    |    |                    |    |
| GENERAL CHECK   | OK   | GENERAL CHECK      | OK   |      |            |               |    |               |    |               |    |               |    |                    |    |                    |    |   |  |      |            |      |            |               |    |               |    |               |    |               |    |                    |    |                    |    |
| GENERAL TESTS   | OK   | GENERAL TESTS      | OK   |      |            |               |    |               |    |               |    |               |    |                    |    |                    |    |   |  |      |            |      |            |               |    |               |    |               |    |               |    |                    |    |                    |    |
| GENERAL THERMISTOR  | OK   | GENERAL THERMISTOR | OK   |      |            |               |    |               |    |               |    |               |    |                    |    |                    |    |   |  |      |            |      |            |               |    |               |    |               |    |               |    |                    |    |                    |    |